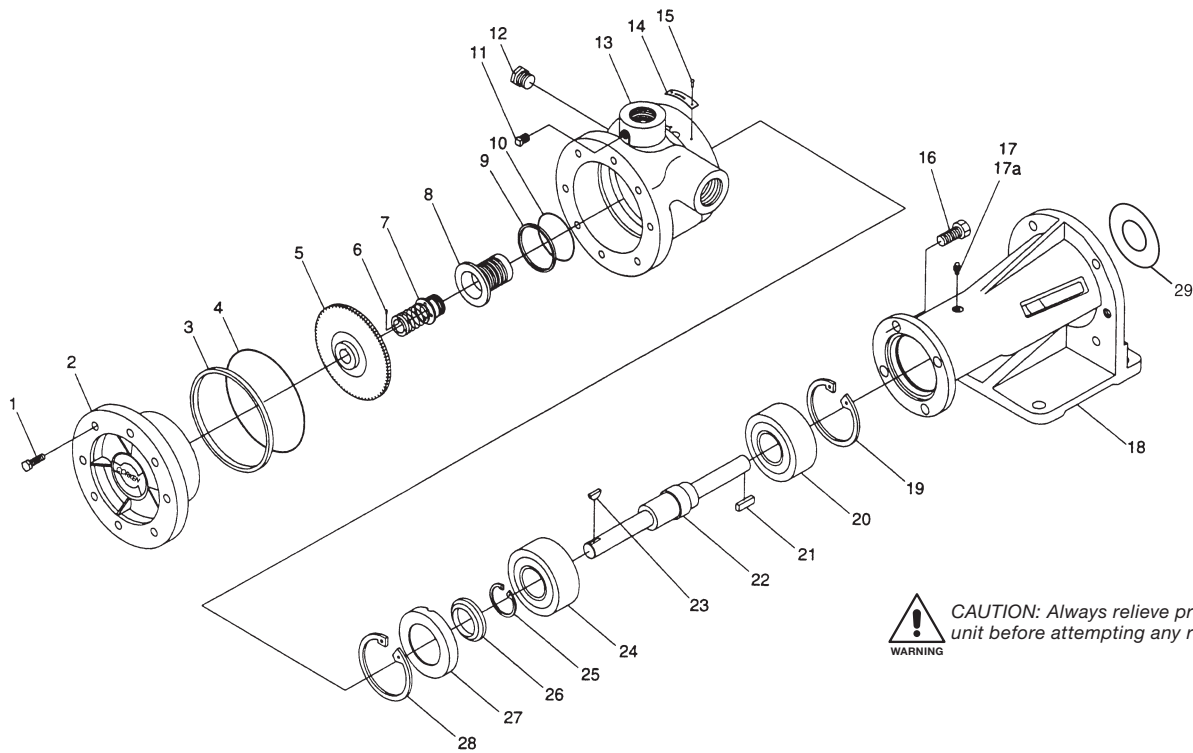


# Appendix E—Parts Details for All D-Model (Direct-Mounted) Pumps

DL10, DL12, DL13, DL14, DL16, and DL17



**WARNING** CAUTION: Always relieve pressure in the unit before attempting any repairs.

Ref No.	Part No.	Description	Qty.
1.	7001-031NC100A	Hex Head Cap Screw	8
2.	1001-0	Cover—model 10	1
	1001-2	Cover—model 12	1
	1001-3	Cover—model 13	1
	1001-4	Cover—model 14	1
	1001-6	Cover—model 16	1
	1001-7	Cover—model 17	1
3.	1014 <sup>c</sup>	Case clearance shim (0.002—red)	As req.
	1014-1 <sup>c</sup>	Case clearance shim (0.003—green)	As req.
4.	2-246 <sup>a,c</sup>	Case O-ring (non-PTFE)	1
	2-247 <sup>c</sup>	Case O-ring PTFE	1
5.	1003-0 <sup>d</sup>	Impeller—model 10	1
	1003-2 <sup>d</sup>	Impeller—model 12	1
	1003-3 <sup>d</sup>	Impeller—model 13	1
	1003-4 <sup>d</sup>	Impeller—model 14	1
	1003-6 <sup>d</sup>	Impeller—model 16 and 17	1
6.	1009	Seal pin	1
7.	113-CX_6 <sup>a</sup>	Seal assembly (aluminum sleeve)	1
	113-CX_6A <sup>a</sup>	Seal assembly (stainless steel sleeve)	1
8.	1004-1X	Seal housing, steel (for non PTFE O-rings)	1
	1004-11X	Seal housing, stainless steel (for non PTFE O-rings)	1
	1004-2X	Seal housing, steel (for PTFE O-rings)	1
	1004-21X	Seal housing, stainless steel (for PTFE O-rings)	1
9.	1013	Housing adjustment shim (0.010)	As req.
	1013-1	Housing adjustment shim (0.020)	As req.
10.	2-224 <sup>a,c</sup>	O-ring (housing)	1
11.	3442	Pipe plug 1/4"	1
12.	3444	Pipe plug 3/4"	1

Ref No.	Part No.	Description	Qty.
13.	1002-0	Case—model 10	1
	1002-2	Case—model 12	1
	1002-3	Case—model 13	1
	1002-4	Case—model 14	1
	1002-6	Case—model 16	1
	1002-7	Case—model 17	1
14.	1914-1	Name plate	1
15.	7012-0065F019E	Phillips head screw 6-32 x 1/4"	2
16.	7001-037NC100A	Hex head mounting bolts	4
17.	2158	Grease zerk	2
17A.	2159	Lubricap	2
18.	4298	Mounting frame—DL	1
19.	5002-281	Bearing retainer ring	1
20.	4378	Bearing	1
21.	3226	Key	1
22.	4303	Shaft	1
23.	2497 <sup>c</sup>	#5 Woodruff key, steel	1
	2497-1 <sup>c</sup>	#5 Woodruff key, stainless steel	1
24.	2758	Bearing	1
25.	5102-118	Bearing retainer ring	1
26.	1006	Grease seal	1
27.	1238	Bearing cap	1
28.	5000-281	Bearing retainer ring	1
29.	4377	Bearing plate	1

O-ring Code	
A	Buna-N
B	Neoprene <sup>®b</sup>
D	Viton <sup>®b</sup>
E	PTFE
G	Ethylene Propylene
K	Kalrez <sup>®b</sup>

<sup>a</sup> \_ denotes O-ring code. See O-ring chart for details.  
<sup>b</sup> Registered trademark of the DuPont company.  
<sup>c</sup> Included with seal assembly/repair kit.  
<sup>d</sup> Add a 1 to # for iron or a 2 for stainless steel. (ex. - model 10 w/iron is 1003-01)